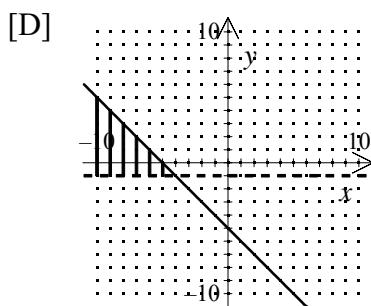
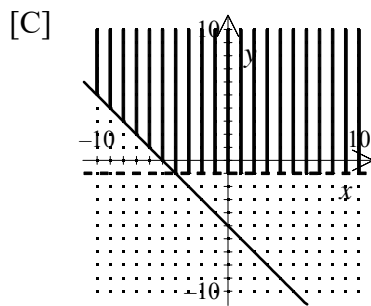
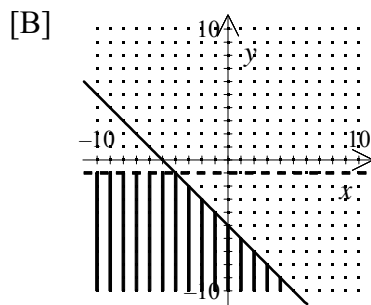
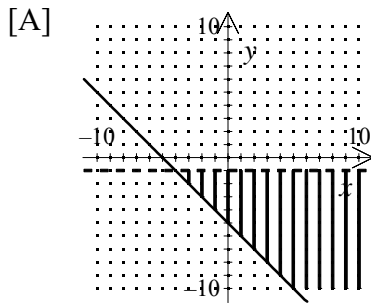


1. Solve the system graphically:

$$y \geq -x - 5$$

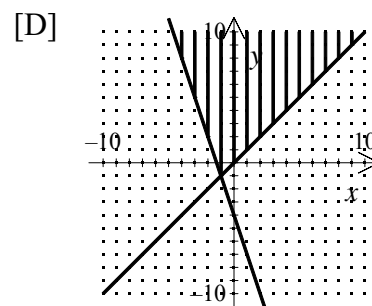
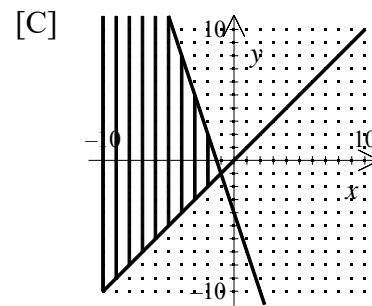
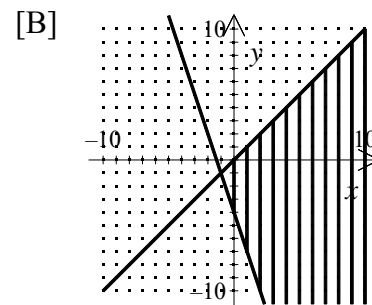
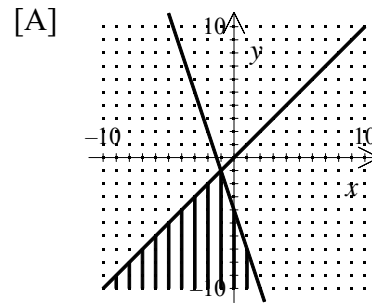
$$y < -1$$



2. Solve the system graphically:

$$y \geq -3x - 4$$

$$y \leq x$$



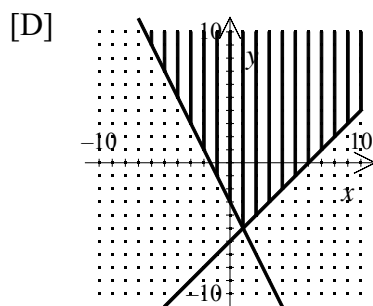
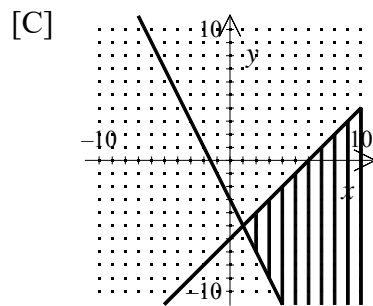
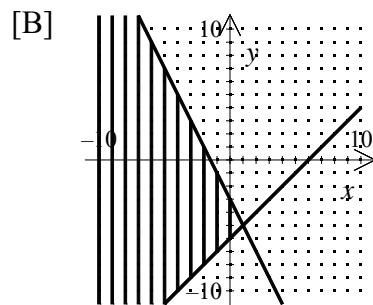
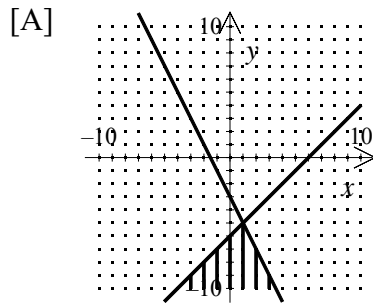
[1] _____

[2] _____

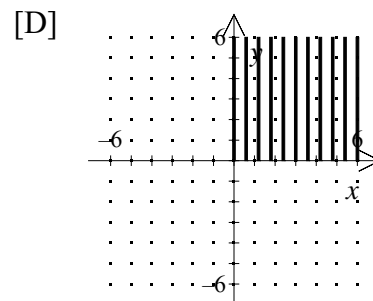
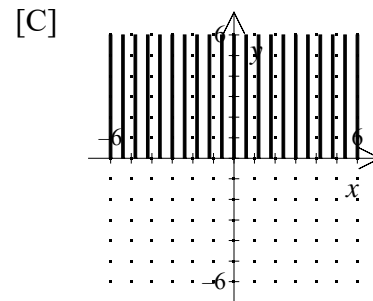
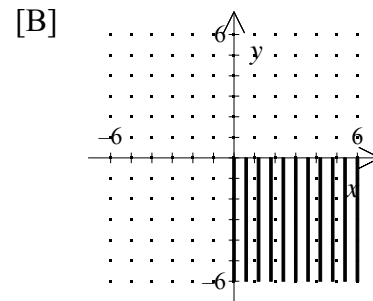
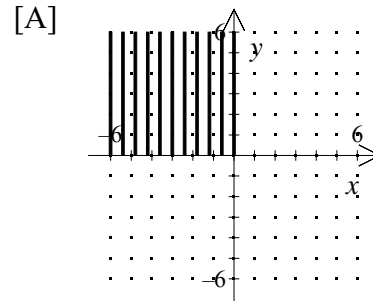
3. Solve the system graphically:

$$y \geq -2x - 3$$

$$y \geq x - 6$$



4. Which graph describes all the points in quadrant IV?



[3] _____

[4] _____

Algebra I Practice A.REI.D.12: Graphing Systems of Linear Inequalities 1

www.jmap.org

[1] A

[2] B

[3] D

[4] B